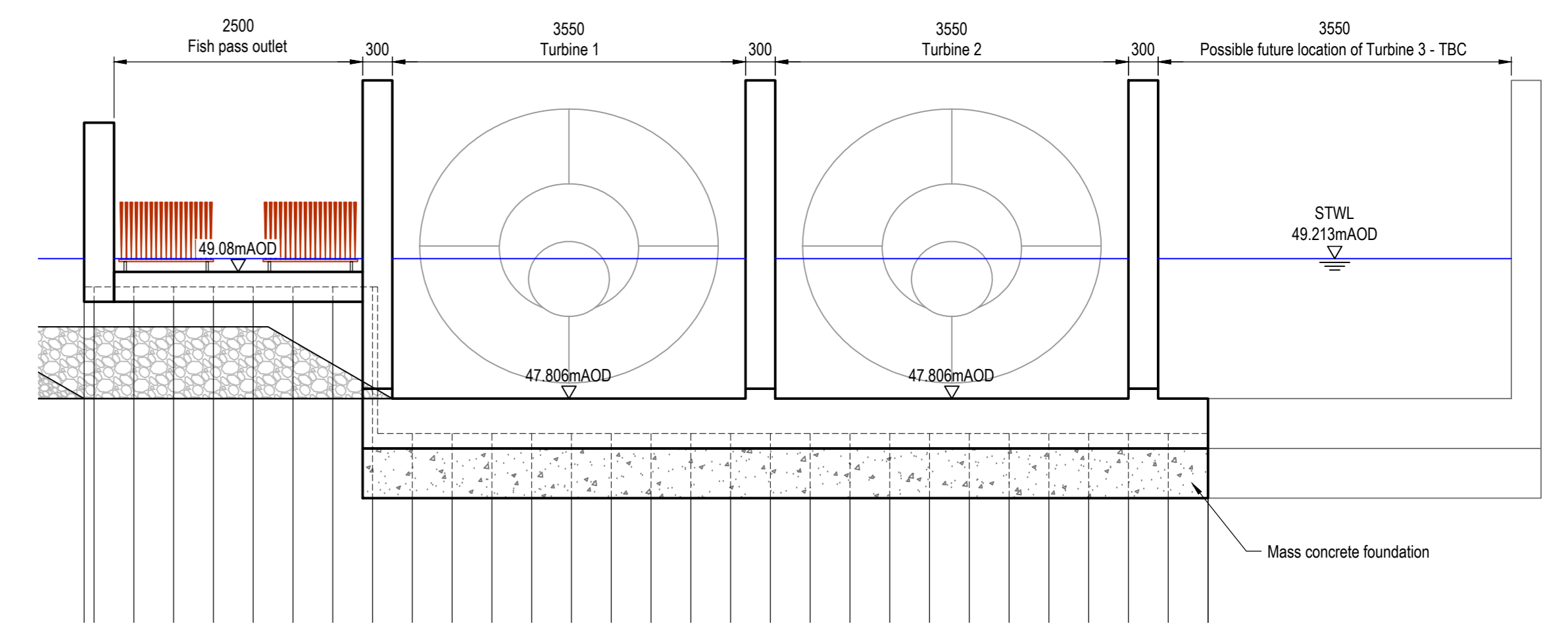
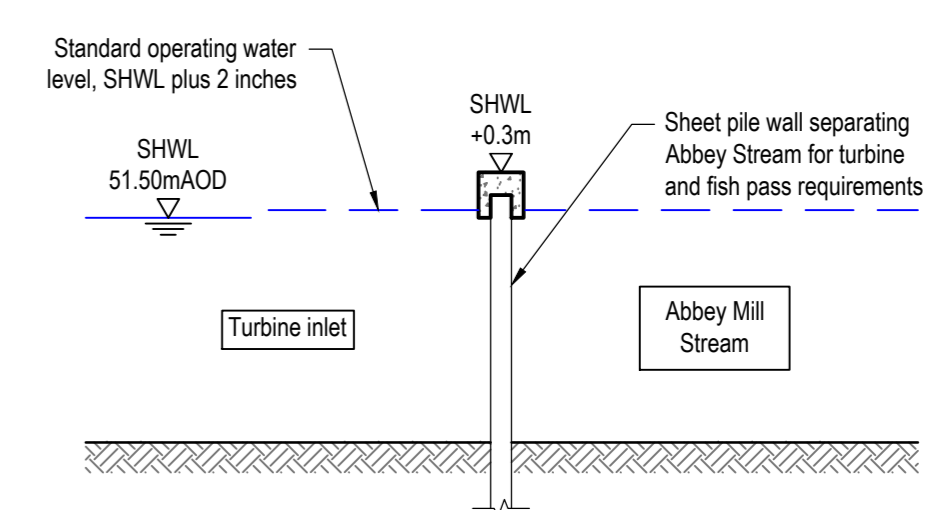


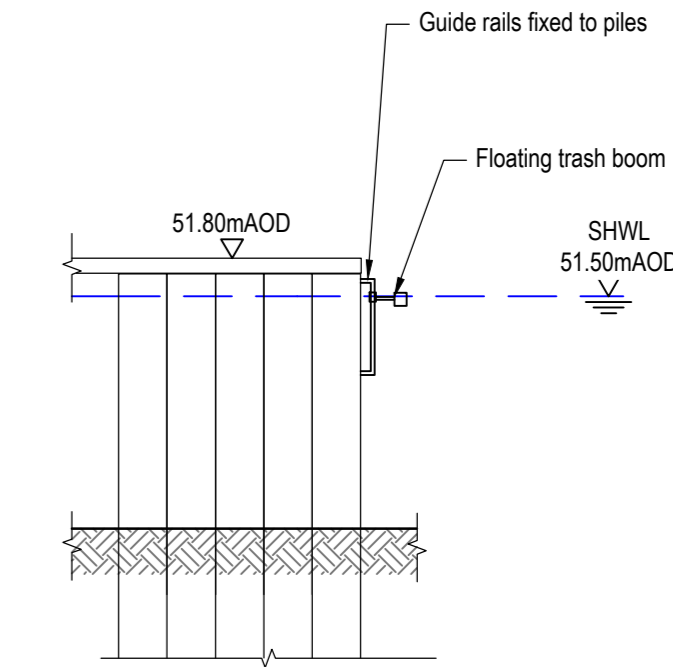
PLAN
1:50



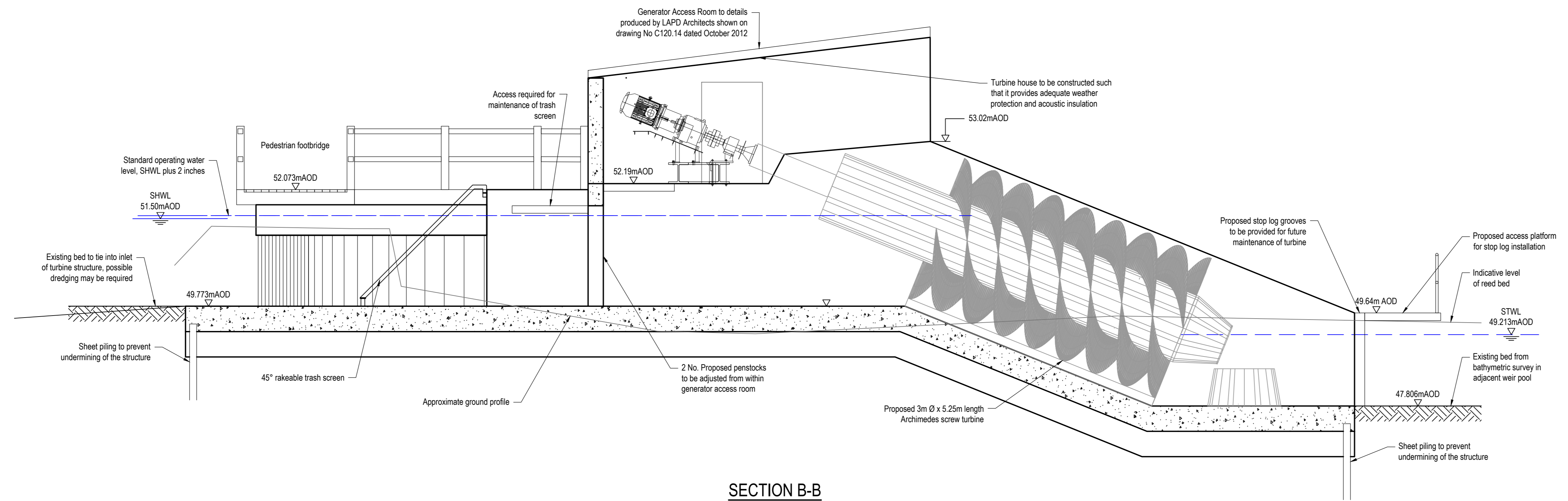
SECTION A-A
(D/S STOP LOGS AND WALKWAY OMITTED FOR CLARITY)
1:50



SECTION C-C
1:50



SECTION D-D
1:50



SECTION B-B
1:50

Mark	Revision	Drawn	Date	Chkd
A	Minor Revisions	DC	23.05.13	JNP

SCALING NOTE: Do not scale from this drawing. If in doubt, ask.
 UTILITIES NOTE: The position of any existing public or private sewers, utility services, plant or apparatus shown on this drawing is believed to be correct, but no warranty to this is expressed or implied. Other such plant or apparatus may also be present but not shown. The Contractor is therefore advised to undertake his own investigation where the presence of any existing sewers, services, plant or apparatus may affect his operations.

Drawing Issue Status

FOR COMMENT

**NEW ARCHIMEDES SCREW INSTALLATION
 ABINGDON WEIR, ABBEY MEADOW PARK**

TURBINE ARRANGEMENT

Client ABINGDON HYDRO		 Offices throughout the UK and Europe www.peterbrett.com © Peter Brett Associates LLP REGD INCORP Tel: 0118 950 0761
Date of 1st Issue 05.04.2013	Drawn by san	
AS SHOWN	Checked by JNP	Revision A
Drawing Number 27754/001/002		